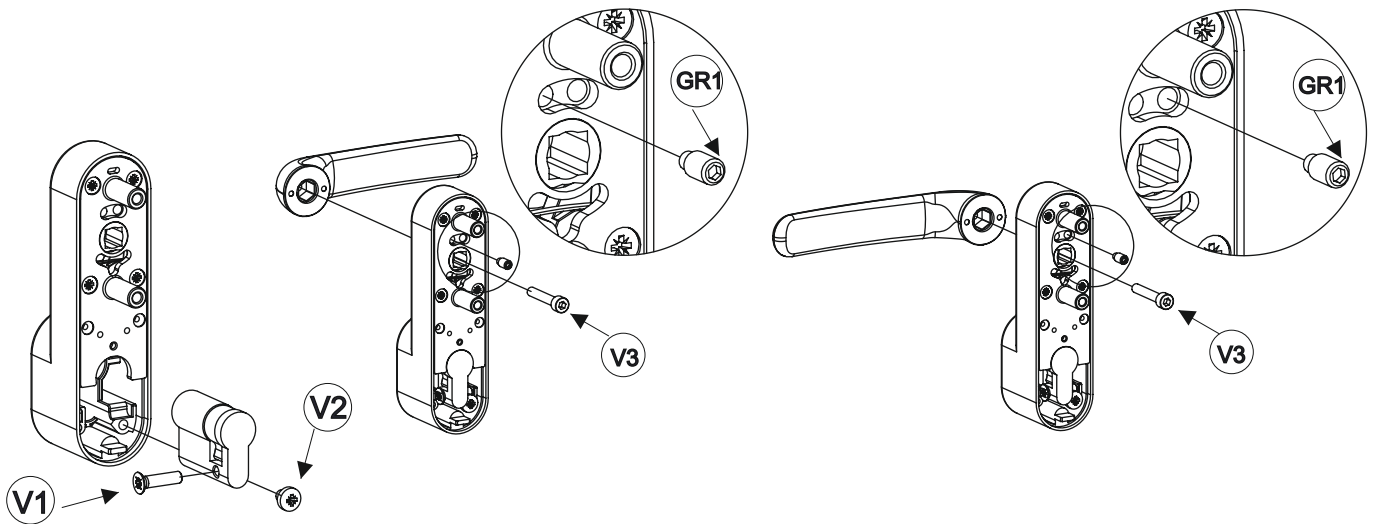


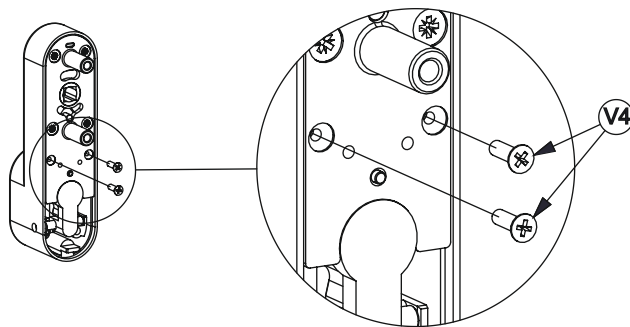
OT-1 Manual / Outer Handle

Fitting/replacing cylinder and determining door handing



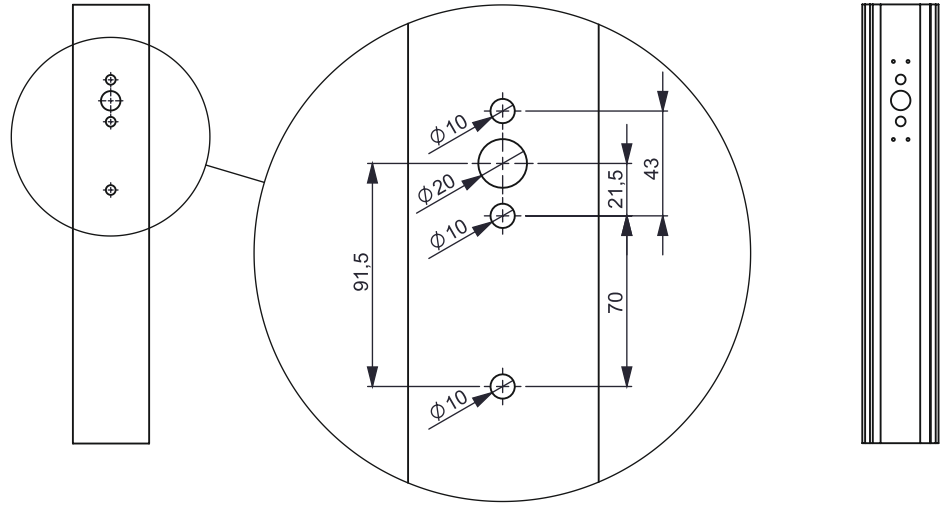
Selection of standard mode and "key retained" mode

If both V4 screws (supplied) are installed, the "key retained" mode is activated, which permits to open the door with key in, turned up to end limit, by lowering the lever handle. When the key is withdrawn, the handle will return to neutral.

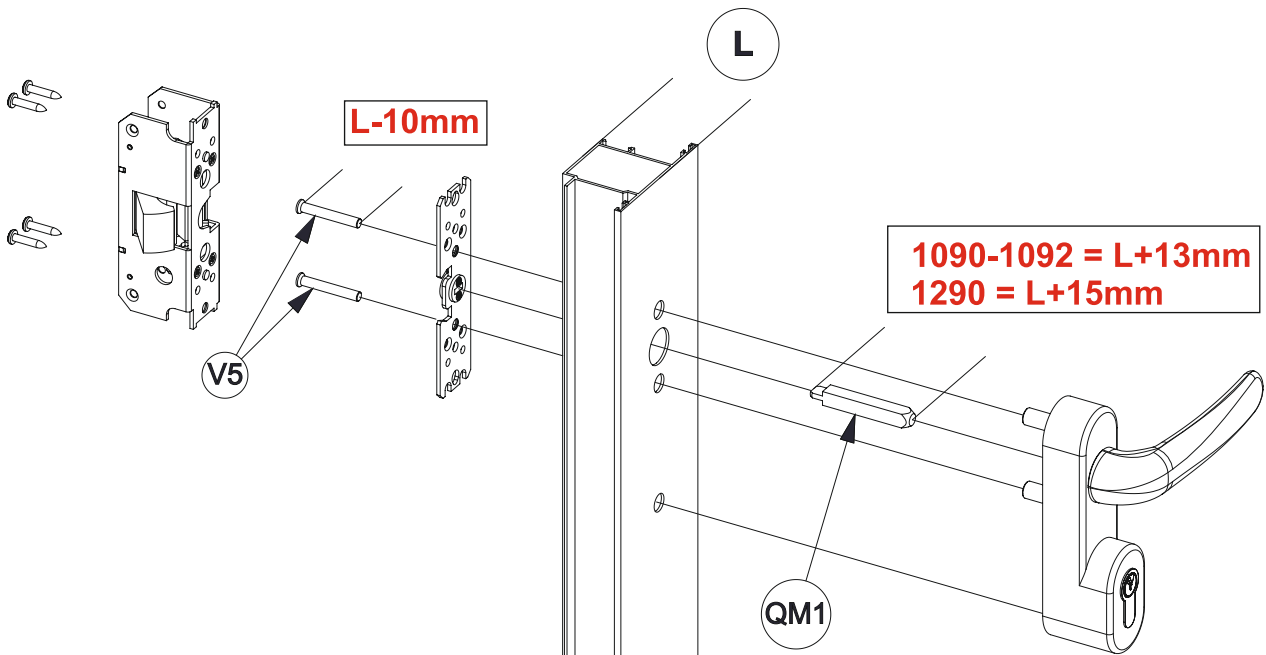


OT-1 Manual / Outer Handle

Preliminary work on profile



Parts to cut size and fitting instructions



QM1		1X
V5		(M5x95(2X
V3		(M5x30(1X
V1		(M5x20(1X
V2		(M5x8(1X
V4		(M3x10(2X
GR1		(M5x10(1X