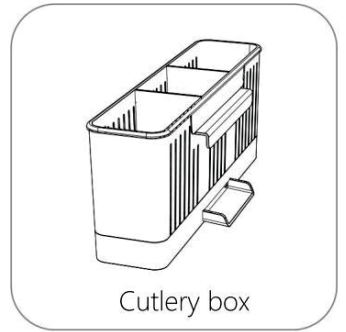
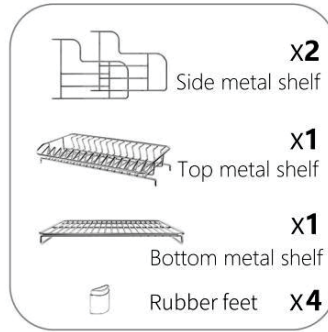
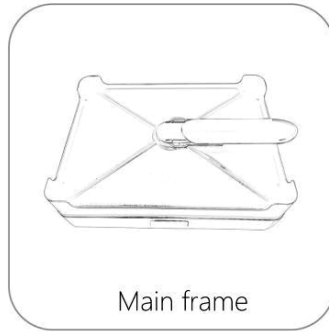


Components



Installation Guide

Step 1:

Hang the cutlery box on the outside of main frame, and plunge the protruding diversion opening into the side port.



Step 2:

Install the bottom metal shelf in the main frame. Rubber feet to keep sink surface from scratching.



Step 3:

Align the metal ends of the side shelf with the plastic bayonet at the same time, and press it down to keep it stable.



Step 4:

Fasten one end of top metal shelf on the side shelf, and place the other end in the same way

