

Melloni®

Bowl & Dish Shelves
Code: 9108-9110-9112

1. Accessories :

A 1PCS

B 1PCS

C 1PCS

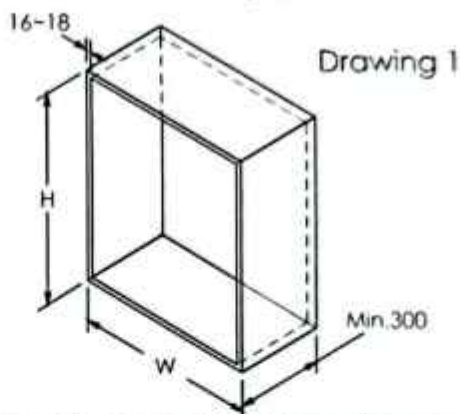


2. Specification & Cabinet Width :

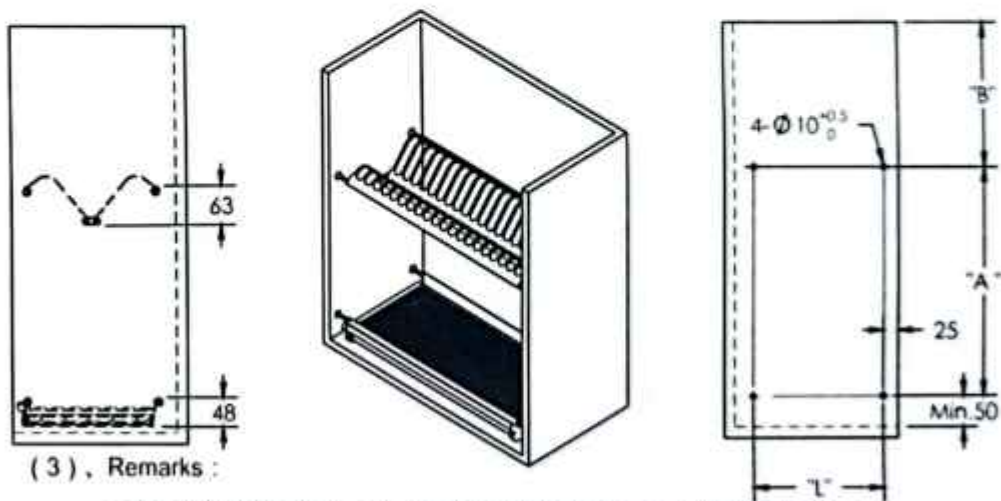
Specification	Cabinet Width
D*W*H	W
280*365*565	400
280*415*565	450
280*465*565	500
280*515*565	550
280*565*565	600
280*615*565	650
280*665*565	700
280*715*565	750
280*765*565	800
280*815*565	850
280*865*565	900
280*915*565	950
280*965*565	1000

3. Fixing Step :

- (1) . Choose a suitable cabinet according the specification of particular products(Please refer to drawing 1) :



- (2) . Drill the side-board of the cabinet then fix accessory "A", "B" one by one as the following drawings.



(3) . Remarks :

- a. Size "A" & Size "B" are based on high of cabinet. The following size are for your reference :

A=275mm , B=300mm (Both Size for reference only) L=225mm

- b. Depth of 4- $\sqrt{10}$ hold is 7-9mm, please be careful that the side-board of cabinet not to be drilled through.