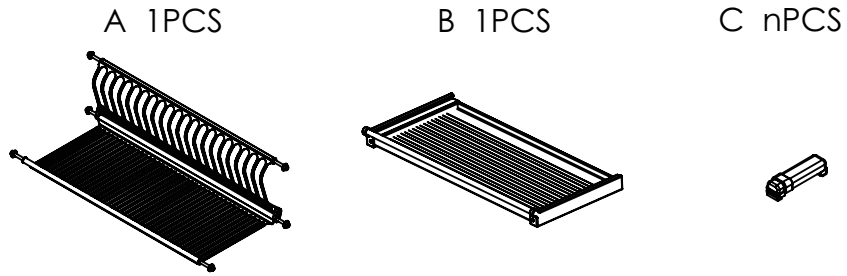


1、Accessories :

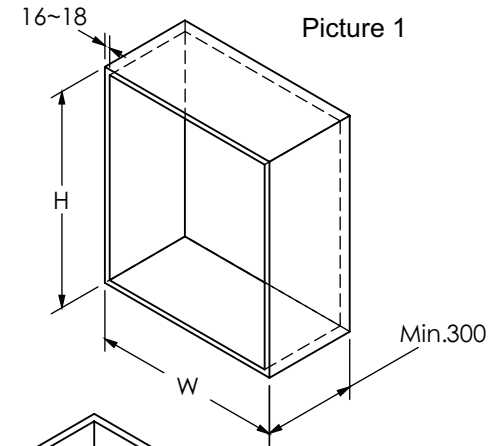


2、Specification & Cabinet Width :

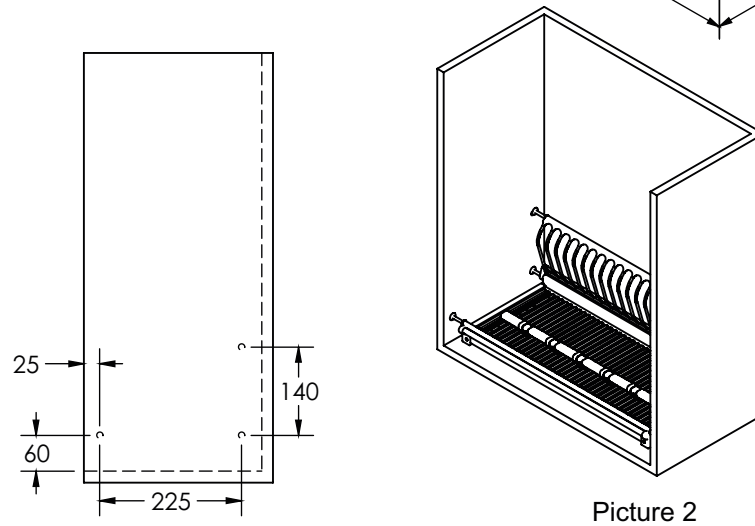
Product Size(mm)	Cabinet with(mm)	Accessory(c)pcs
280*365*186	400	3
280*465*186	500	5
280*515*186	550	5
280*565*186	600	6
280*615*186	650	6
280*665*186	700	7
280*715*186	750	7
280*765*186	800	8
280*815*186	850	8
280*865*186	900	9
280*915*186	950	9
280*965*186	1000	10
280*1065*186	1100	11
280*1165*186	1200	12

3、Fixing Step :

(1) According to product size choose suitable cabinet(Picture 1) :



(2) Drilling hole(Picture 2):



(3) Remarks:

Depth of 6- ϕ 10 holder is 7-9mm, please be careful that the side-board of cabinet should not be drilled through.