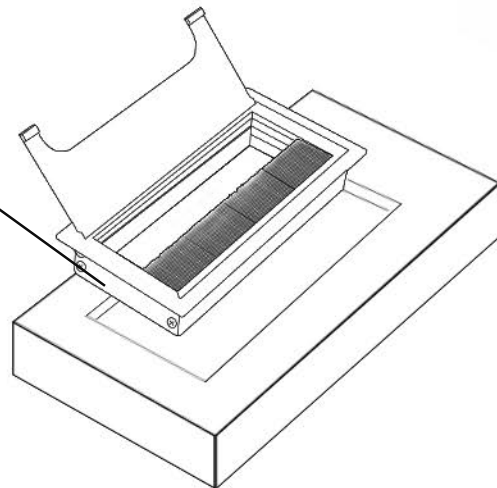


1. Flip open this product directly



2. Fix the bottom box to the desired installation position of the product (such as desktop) with four screws, connect the power cord and various data cables to the product in their corresponding positions, and reserve a certain length of power cord and various data cables to ensure smooth opening of the product.



Office/Meeting Table Opening Instructions

ZL8 opening size: as shown in the following figure

