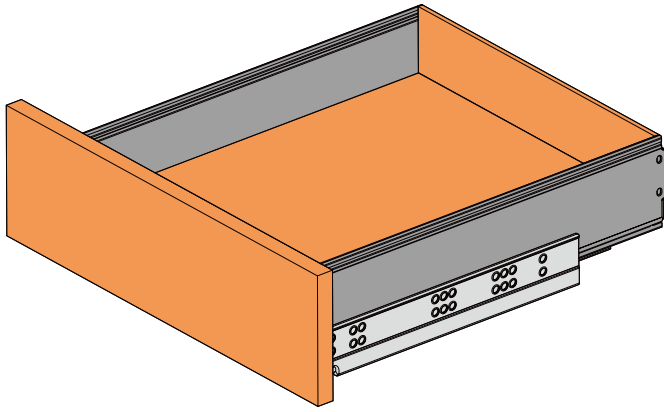


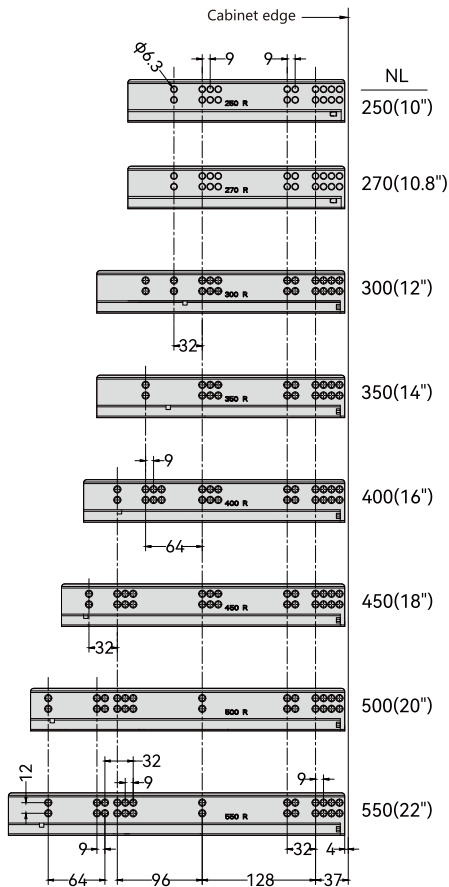
Ultra Slim Drawer Series

Standard Drawer Installation Dimension

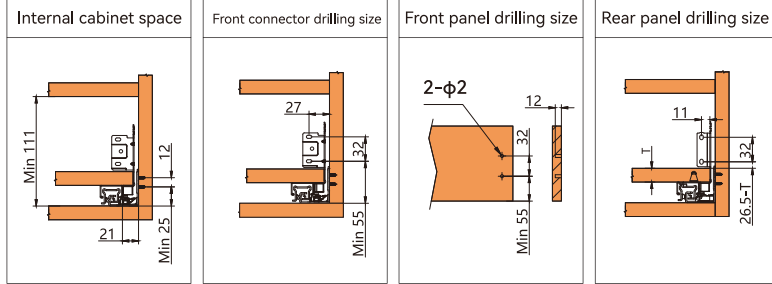
- Load capacity: 35Kg
- Length: 350-500mm
- Drawer height adjustment: 0~+3mm
- Drawer depth adjustment: 0~+5mm
- Drawer width adjustment: ±1.5mm



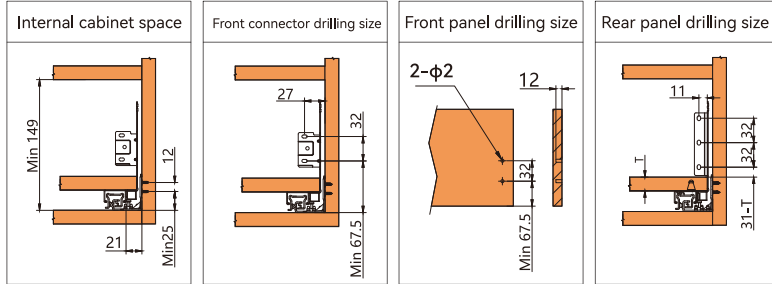
Hole Position (mm)



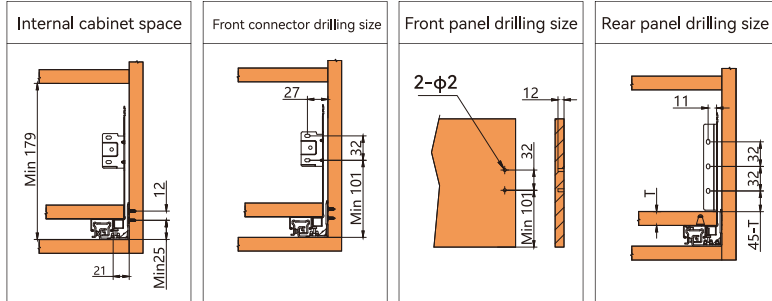
L Low Drawer Height = 89



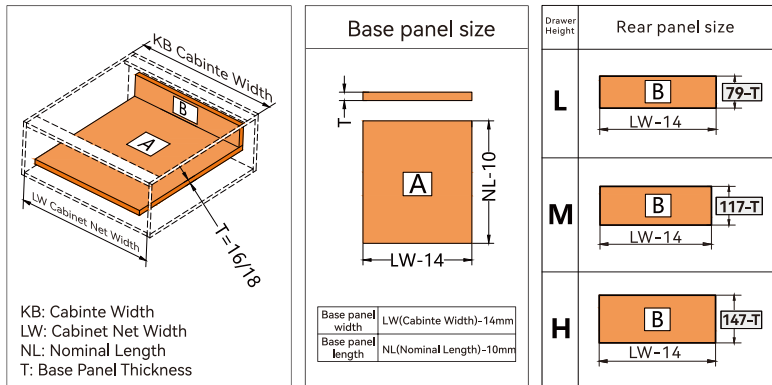
M Medium Drawer Height = 127



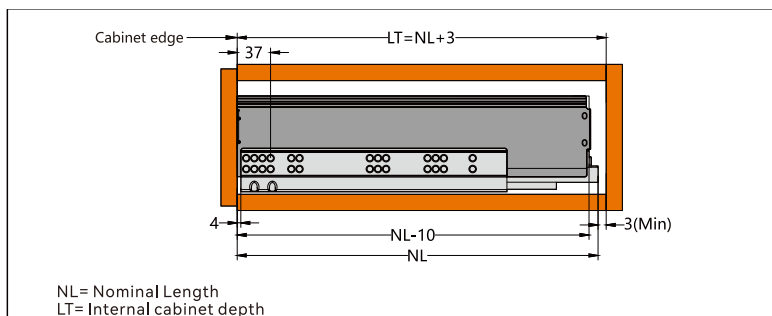
H High Drawer Height = 157



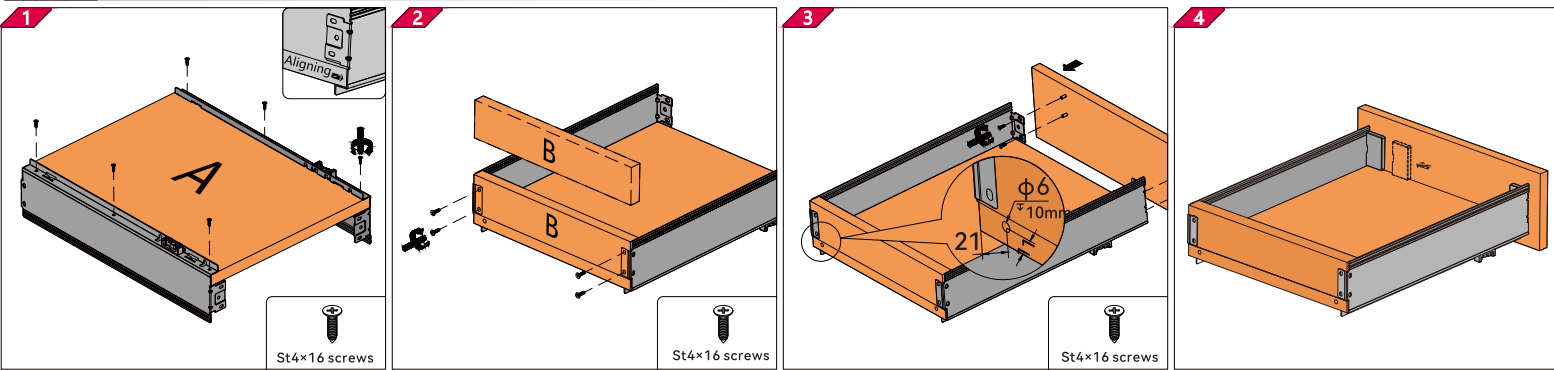
Base panel / Rear panel cutting size



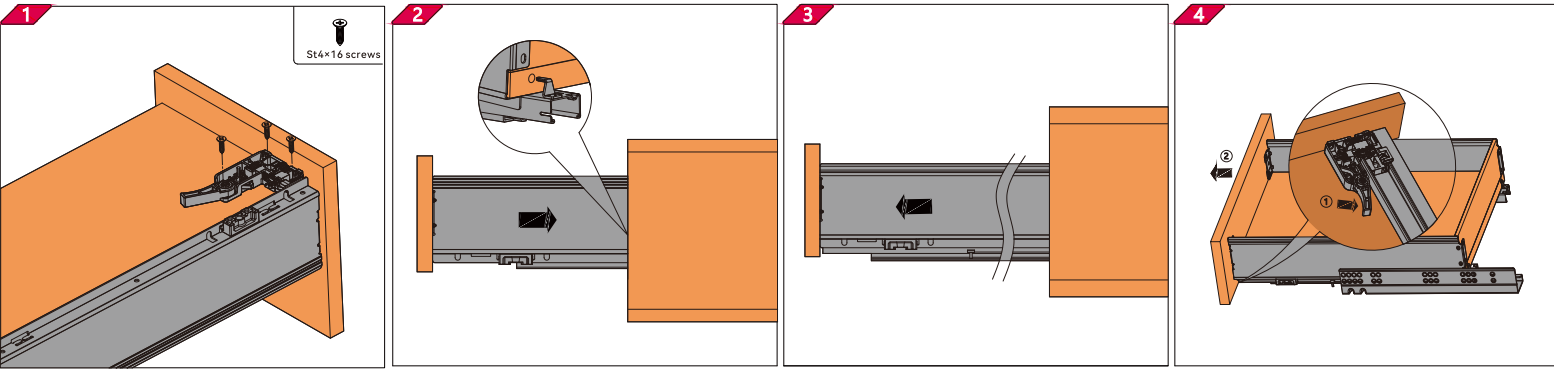
Installation Dimensions (mm)



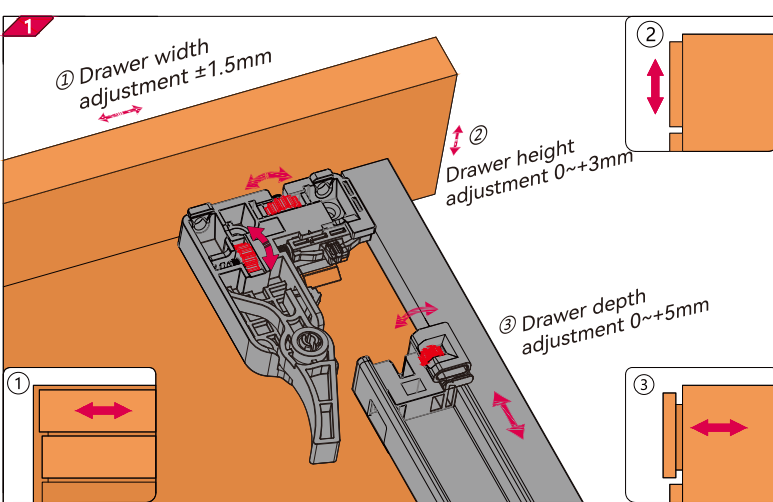
LMH Drawer Assembly



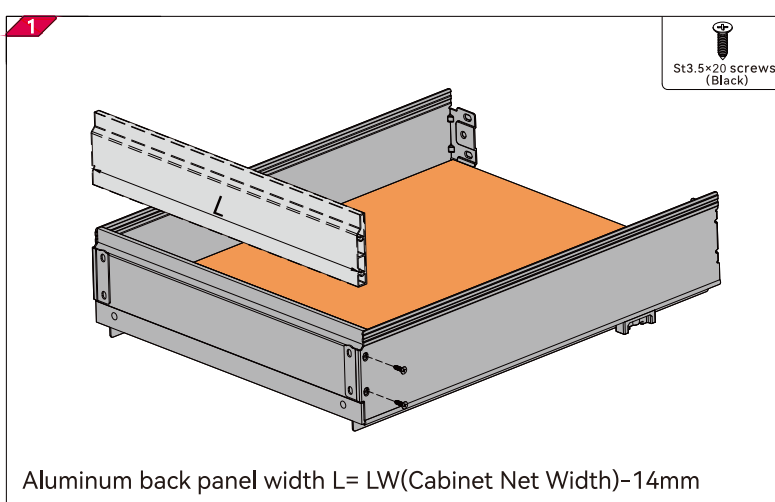
LMH Drawer Installation



LMH Drawer Adjustment



LMH Aluminum Back Panel Installation



LMH Base Panel Pre-drilling Size

