

Melloni

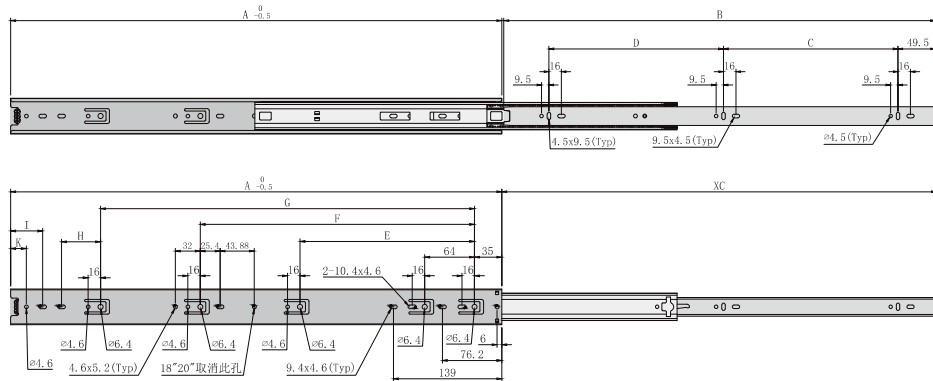
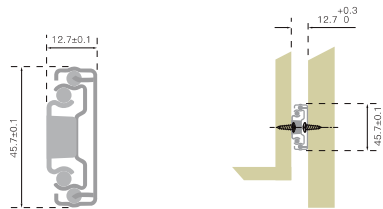
Drawer Slide

Code: 5040-5042-5044

45MM FULL EXTENSION BALL BEARING SLIDE



Width: 45.7mm
 Thickness: 12.7mm
 Length: 200-600mm
 Loading capacity: 45kg 18"
 Finishing: black spray; zinc plated
 Material thickness: 1.2x1.2x1.5mm
 Packing: 15 pairs/carton

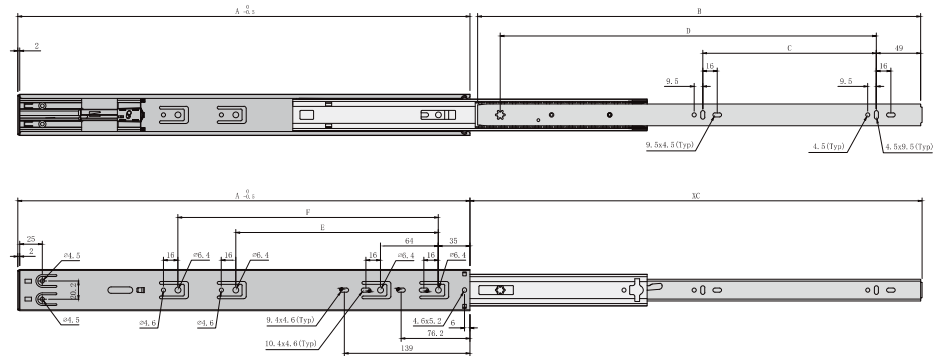
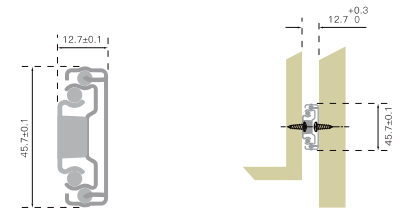


Item No.	Specification	A	Hole pattern										
			B	C	D	E	F	G	H	I	K	XC	
S4501A-200	8"	200	195	133.5		116							200
S4501A-250	10"	250	245	174.5		160							250
S4501A-300	12"	300	295	96	128								300
S4501A-350	14"	350	345	128	128				41				350
S4501A-400	16"	400	395	160	160			228					400
S4501A-450	18"	450	445	160	192	224					20		450
S4501A-500	20"	500	495	192	224			416					500
S4501A-550	22"	550	545	224	224			416	50				550
S4501A-600	24"	600	595	256	256			480	50				600

FULL EXTENSION SOFT CLOSING SLIDE



Width: 45.7mm
 Thickness: 12.7mm
 Length: 300-600mm
 Loading capacity: 35kg 18"
 Finishing: black spray; zinc plated
 Material thickness: 1.2x1.2x1.5mm
 Packing: 15 pairs/carton



Item No.	Specification	A	Hole pattern						
			B	C	D	E	F	XC	
S4502A-300	12"	300	290	64	224			255	
S4502A-350	14"	350	340	96	256	128		340	
S4502A-400	16"	400	390	128	320	192		400	
S4502A-450	18"	450	440	160	352	224		450	
S4502A-500	20"	500	490	192	416	256		500	
S4502A-550	22"	550	540	224	448	224	320	550	
S4502A-600	24"	600	590	224	512	224	352	600	

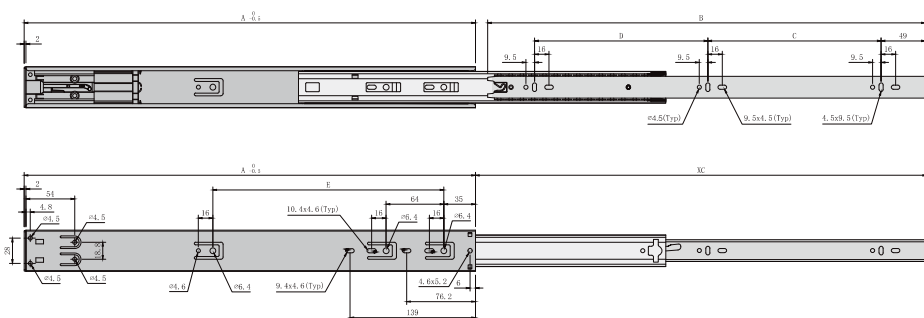
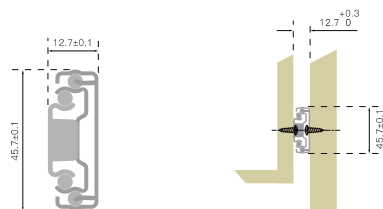
Melloni®

Drawer Slide
Code: 5040-5042-5044

FULL EXTENSION PUSH-OPEN BALL BEARING SLIDE



Width: 45.7mm
Thickness: 12.7mm
Length: 300-500mm
Loading capacity: 35kg 18"
Finishing: black spray; zinc plated
Material thickness: 1.2x1.2x1.5mm
Packing: 15 pairs/carton



Item No.	Specification	A	Hole pattern				
			B	C	D	E	XC
S4503-300	12"	300	285	64	128	128	294
S4503-350	14"	350	335	96	128	128	350
S4503-400	16"	400	385	128	160	192	400
S4503-450	18"	450	435	160	160	224	450
S4503-500	20"	500	485	192	192	256	500