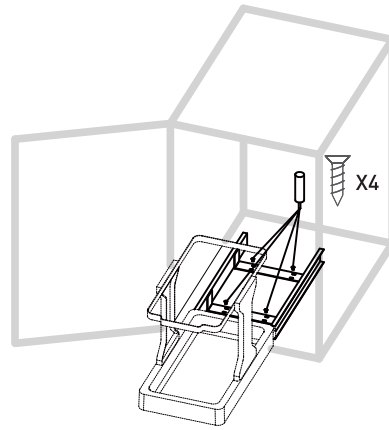
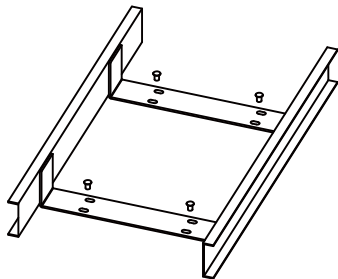


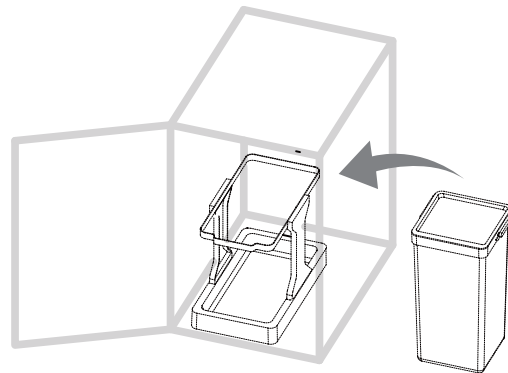
Step 1: Please make sure the inner size of your cabinet is  $\geq 26.5$  (w) x  $46.5$  (d) x  $69$  (h) cm. And put the frame into the right position you want to install.



Step 2: Pull out the top frame and drive 4 screws on the connecting bars (each bar 2 screws) to fix the rails.



Step 3: There are 4 screw holes on each connector for adjusting the fixing location inside the cabinet.



Step 4: Put all the bins and accessories into the base and enjoy using it!