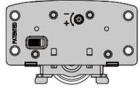




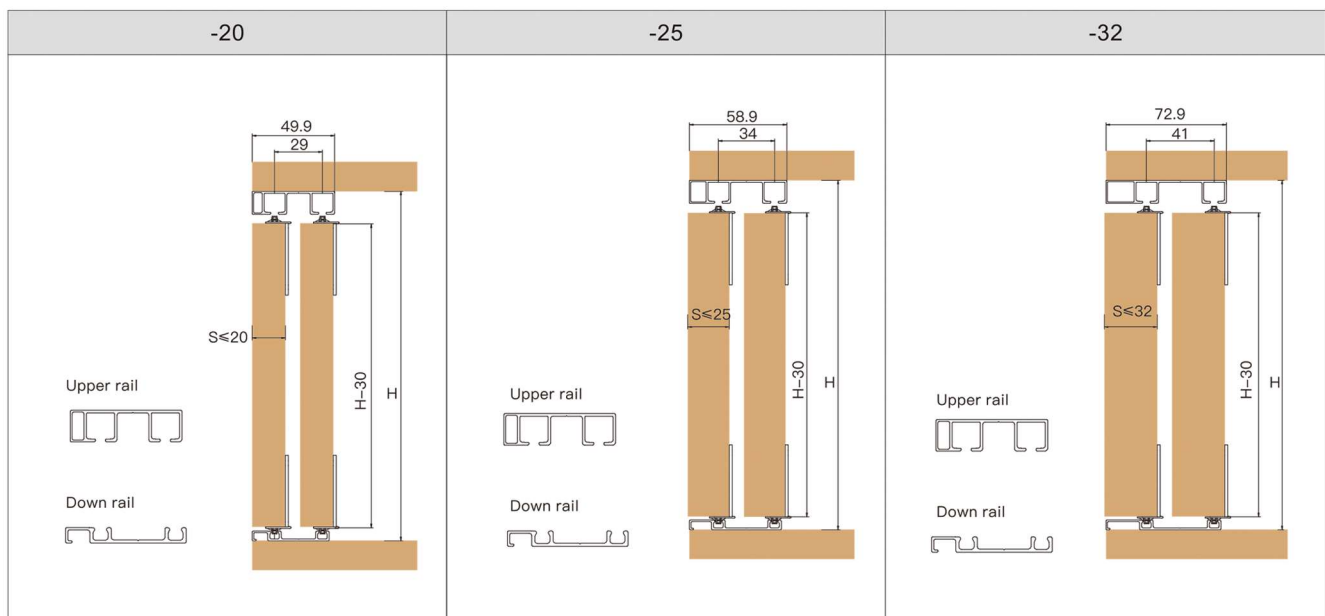
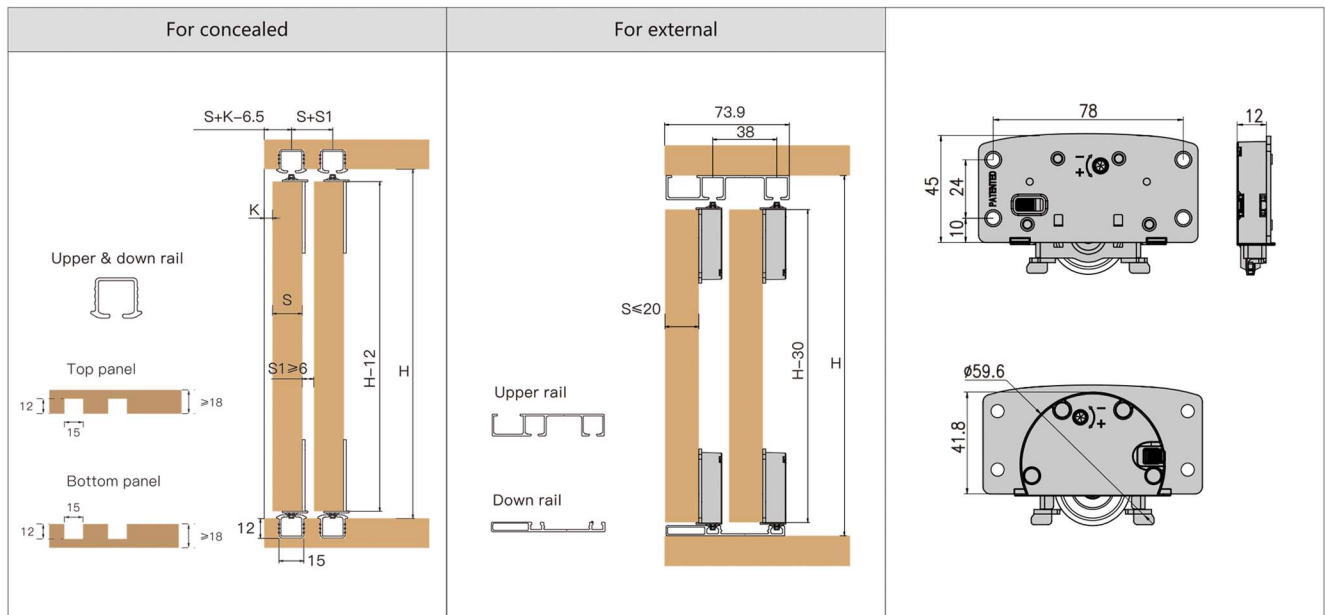


Soft closing sliding Door system Installation Manual
(Concealed & External integration)

Picture					
Accessories	Runner	Damper	ST4*16 Cross head tapping screws	2mm Allen key	4mm Allen key
2 DOORS double soft closing(4 Dampers)	8	4	32	1	1
3 DOORS double soft closing(4 Dampers)	12	4	48	1	1

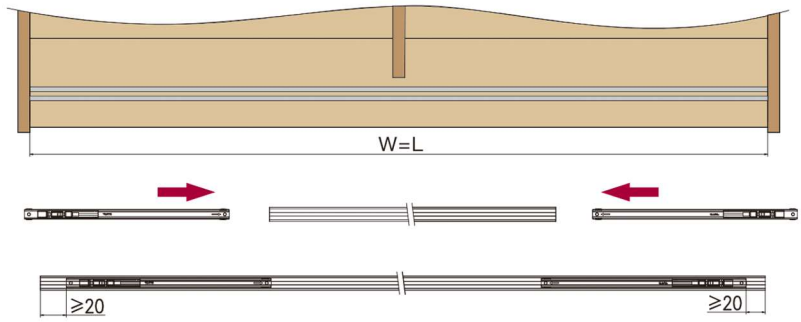
Wardrobe size



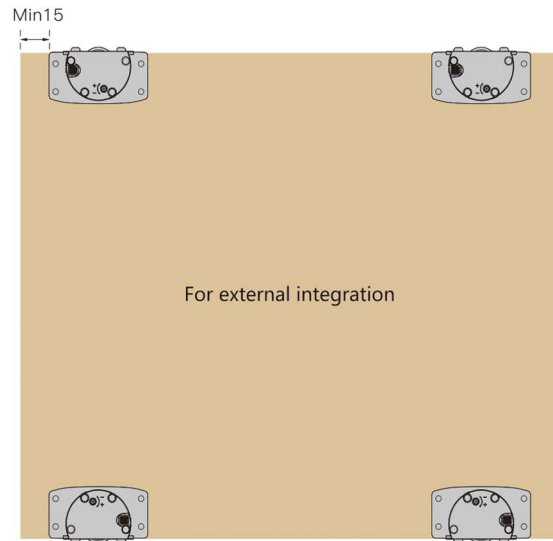
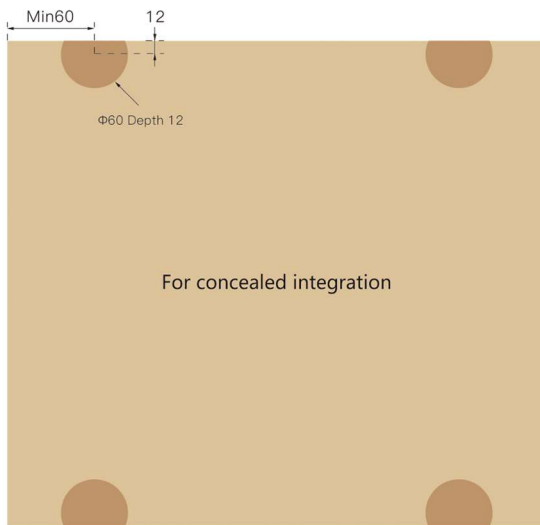
Step 1. Damper Installation and Rail Installation

W=L

W=Cabinet Width L=Rail Length



Step 2. Runner installation



Step 3. Door panel installation and Door gap regulation

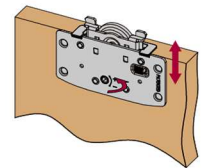
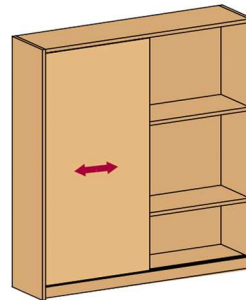
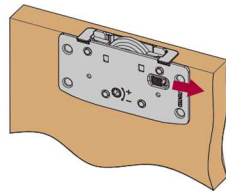
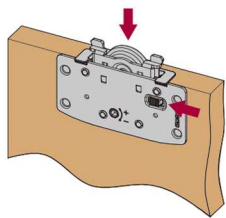
For concealed

Before installing,lock the button.

After installing panel,loose the button.

Push the door at the end to position the damper;
adjust the door's horizontal

Adjust the gap by regulating up roller



Lock the damper



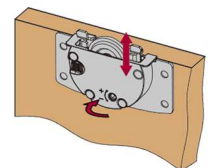
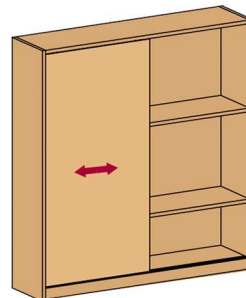
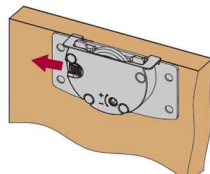
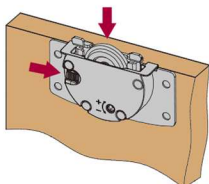
For external

Before installing,lock the button.

After installing panel,loose the button.

Push the door at the end to position the damper;
adjust the door's horizontal

Adjust the gap by regulating up roller



Lock the damper

