

CODE: 11006

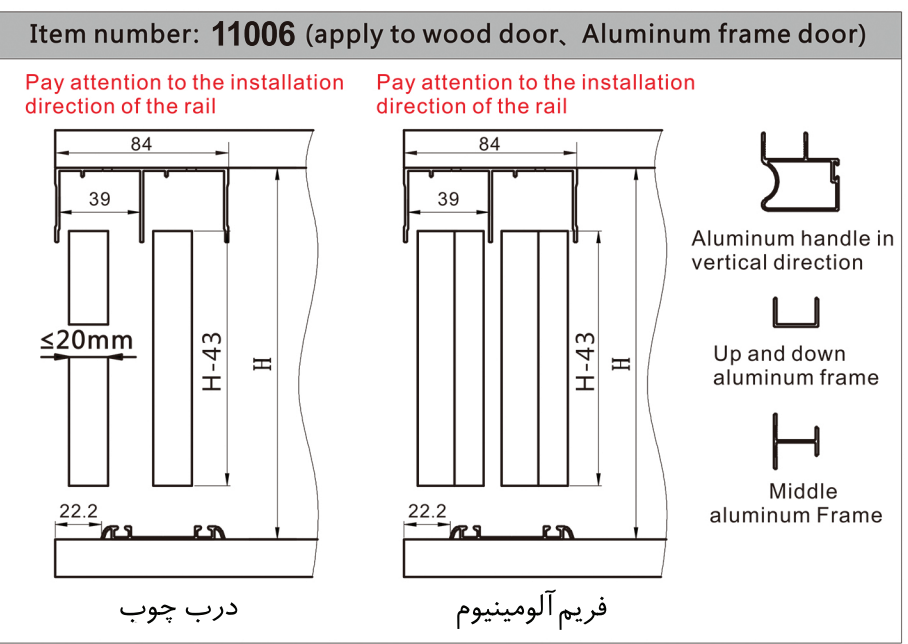
Universal

مکانیزم تاپ لاین تو کار ۲ درب ۸۰ کیلویی



Accessories	Picture	2 Door	3 Door	Accessories	Picture	2 Door	3 Door
Right upper runner		2PCS	3PCS	Damper		4PCS	4PCS
Left upper runner		2PCS	3PCS	ST3.5X13 Cross recessed pan head tapping screw		32PCS	48PCS
Down runner		4PCS	6PCS	ST4X30 Cross recessed flat head tapping screw		8PCS	8PCS
Spacer		8PCS	12PCS	Upper rail		Down rail	

Wardrobe size calculate & Rail installation



Drill the hole on damper and fix according to instruction

Catcher on damper

Side panel

Catcher on damper toward outside

Damper ending touch the side panel and fixed

1

2

Door panel installation

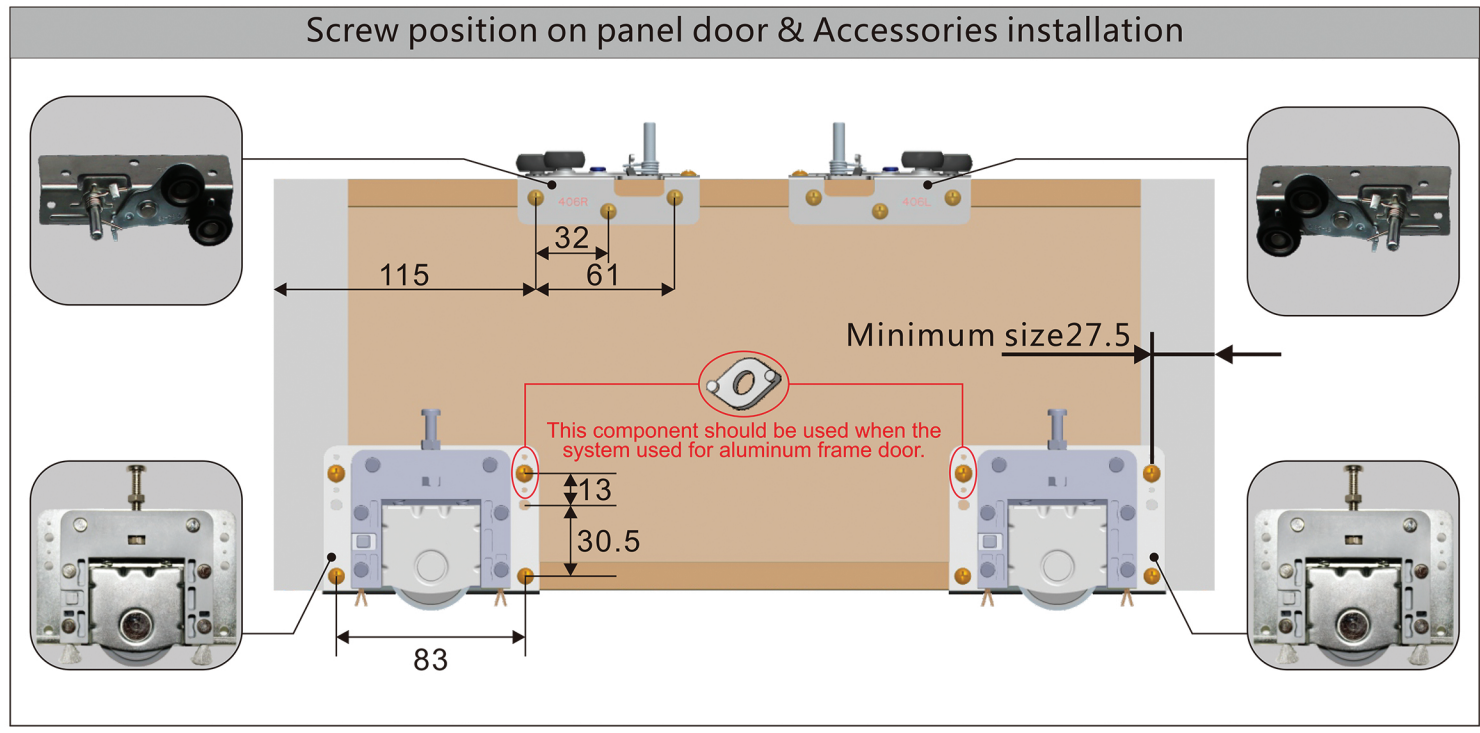
Use screw regulate the gap of door panel

Lock the button when load the door  
Loose the button when unload the door

Lock the nut when finish regulation

1

2



Damper regulation

Loose the damper and make it at proper position