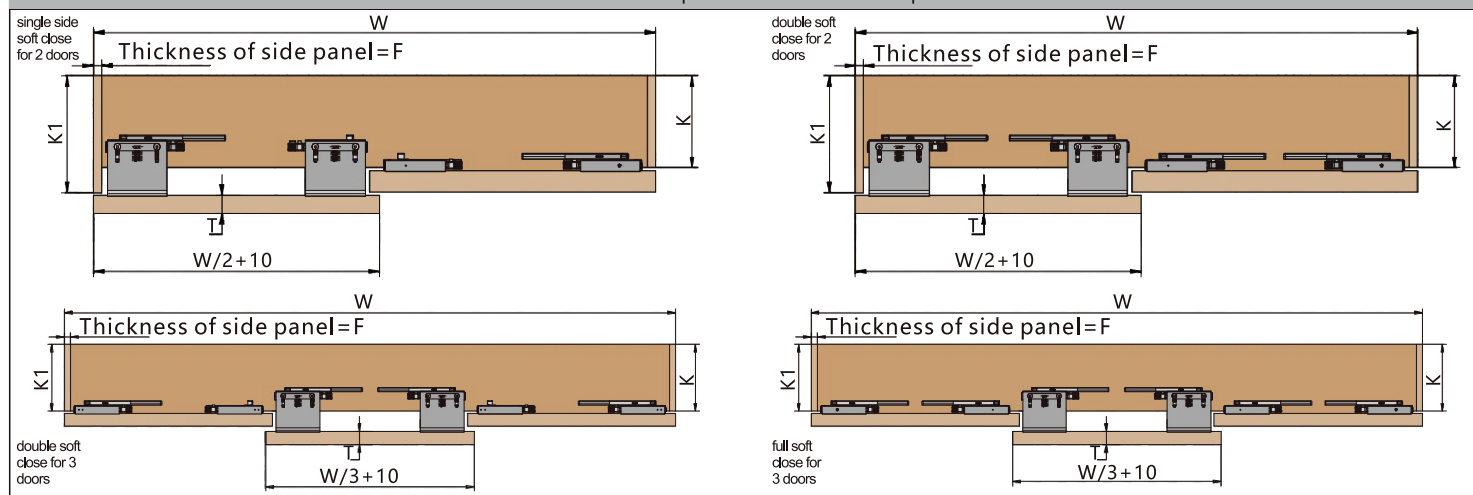


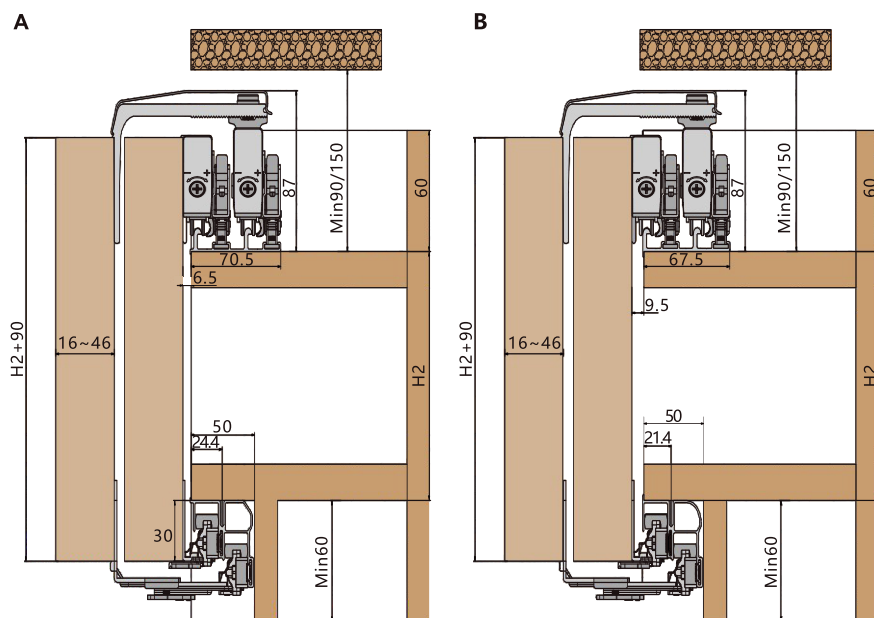
Accessory	QTY				Accessory	QTY				Accessory	QTY			
	single side soft close for 2 doors	double soft close for 2 doors	double soft close for 3 doors	full soft close for 3 doors		single side soft close for 2 doors	double soft close for 2 doors	double soft close for 3 doors	full soft close for 3 doors		single side soft close for 2 doors	double soft close for 2 doors	double soft close for 3 doors	full soft close for 3 doors
Left Up Roller For Outside Door	1	1	1	1	Right Up Roller For Outside Door	1	1	1	1	Up Damper	2	4	4	6
Left Up Roller For Inside Door	1	1	2	2	Right Up Roller For Inside Door	1	1	2	2	Down Damper	2	4	4	4
Down Roller For Outside Door	2	2	2	2	Down Roller For Inside Door	2	2	4	4	Stopper	2	4	4	4
Stopper	1	1	2	2	Anti-collision stopper	0	0	0	1	S14x16 Cross Resessed Flat Head Tapping Screw	40	40	60	60

## 1. Calculation of cabinet size $K1=k+T+8$ ( $T$ =Thickness of door $16 \leq T \leq 46$ )

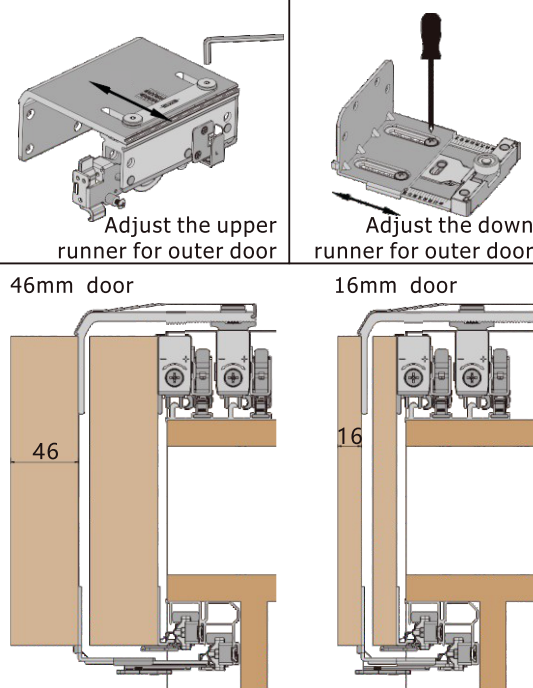
PS: Width of door depends on the actual shape of door



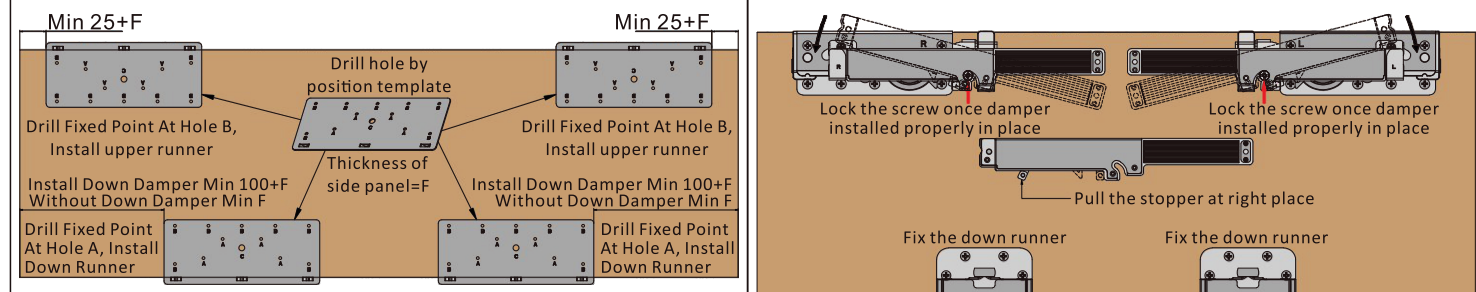
## 2. Installation dimension



## 3. Adjust outer door accessories according to the thickness of door



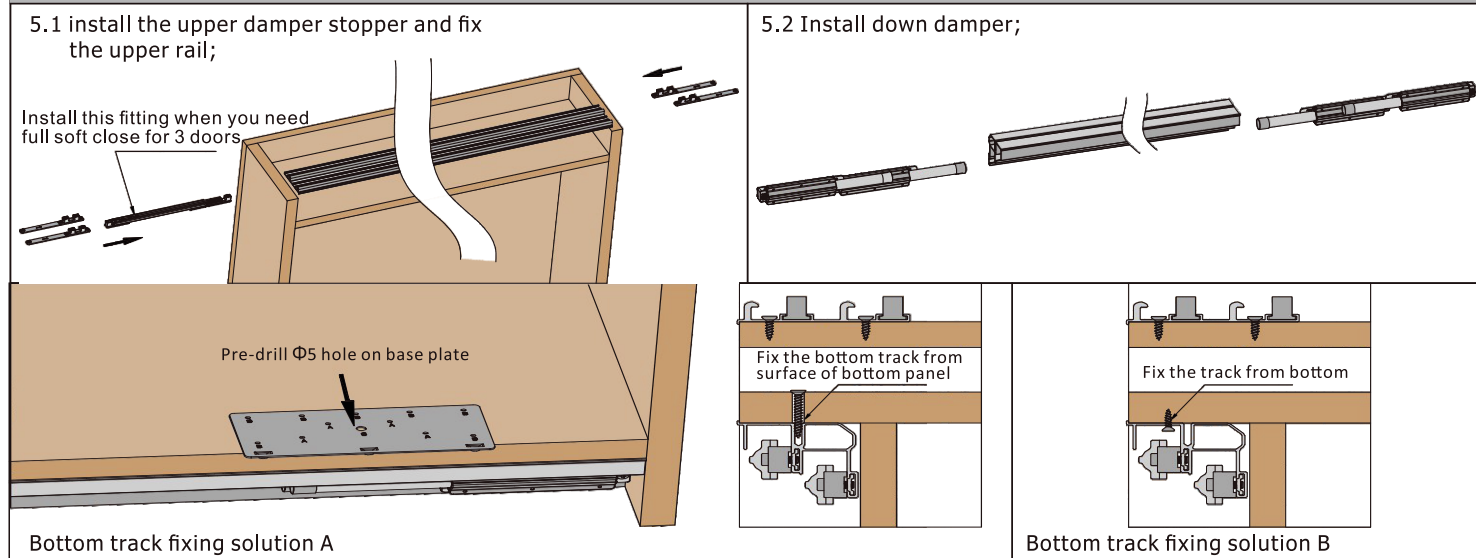
## 4. Drill size of door and fix the accessories



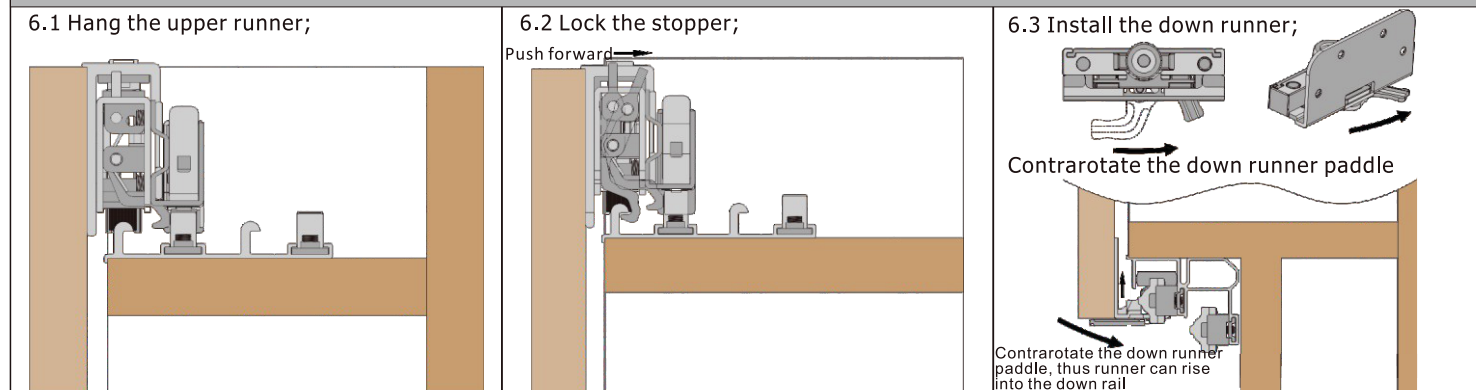
4.1 Drill the hole with position plate;

4.2 Fix the upper runner damper and down runner;

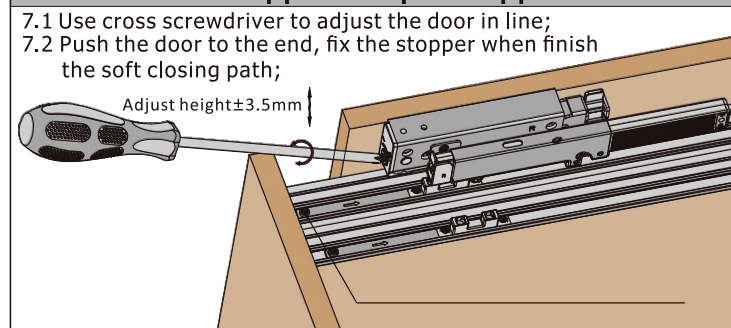
## 5. Install the upper and down rail



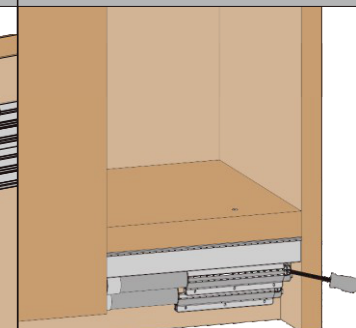
## 6. Installation of outer and inner door ( Inner door first, Outer door second)



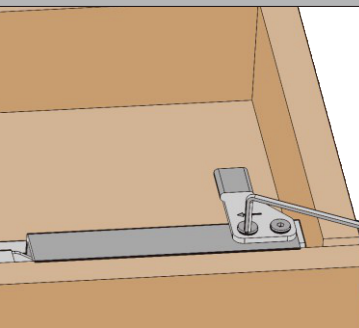
## 7. Height adjustment of doors and fix the upper damper stopper



## 8. Fix the down damper



## 9. Install the stopper



## 10. Anti collision stopper installation (For 3 door)

