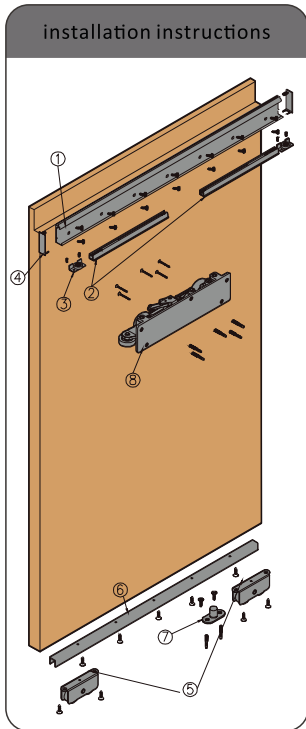




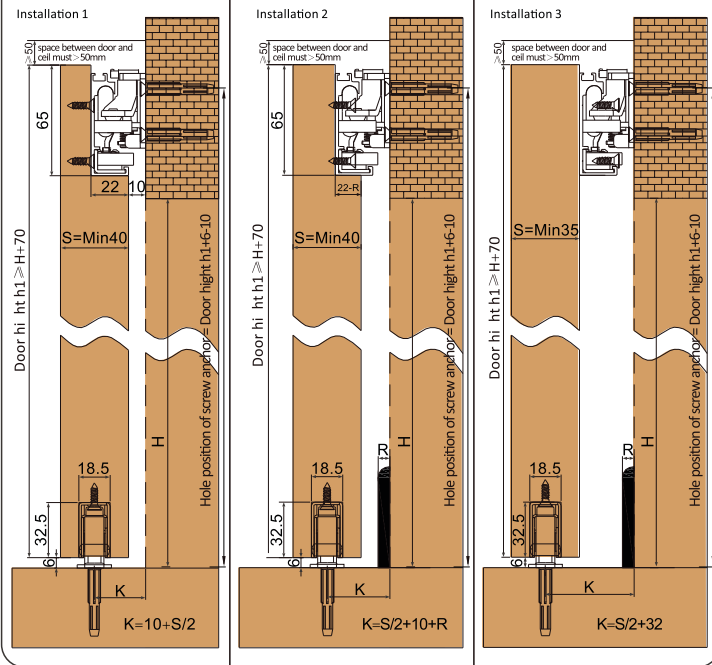
Invisible Sliding Door (Wooden Door)

Accessory	Drawing	1 Door	Accessory	Drawing	1 Door	Accessory	Drawing	1 Door
Upper runner		1	Soft close device		2	Side runner		2
Down guide roller		1	Down runner		2	End plugs		1
ST4.5*40 cross head tapping screws		5	Screw anchor		5	Rail		1
m4x6 hex fixed screw		4	ST4*16 cross head tapping screws		25	2mm Allen key		1
4mm Allen key		1	Down rail		1			

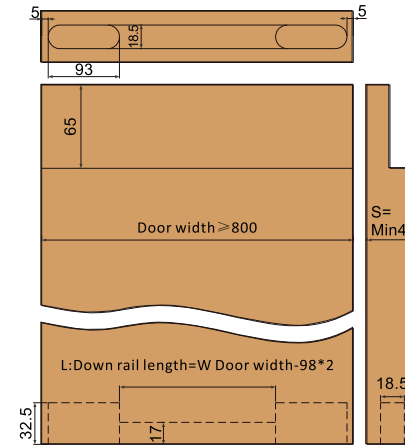
installation instructions



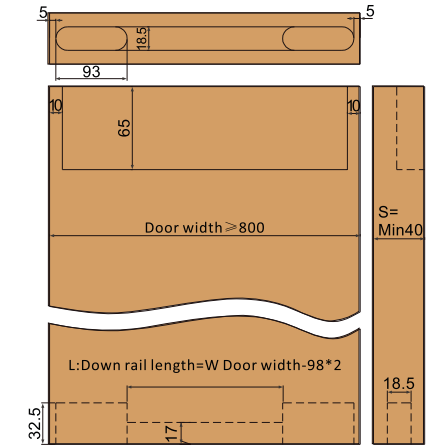
Door Wide Requirements



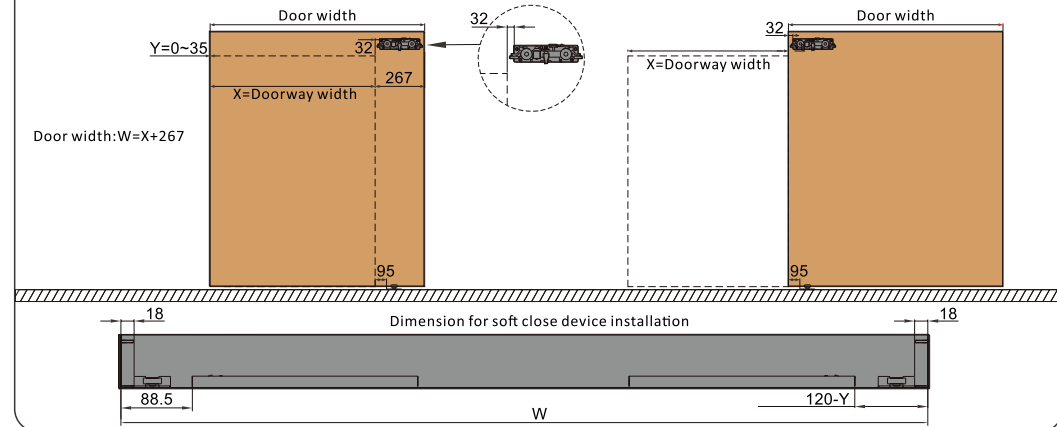
Rail dimension & Installation mode 1



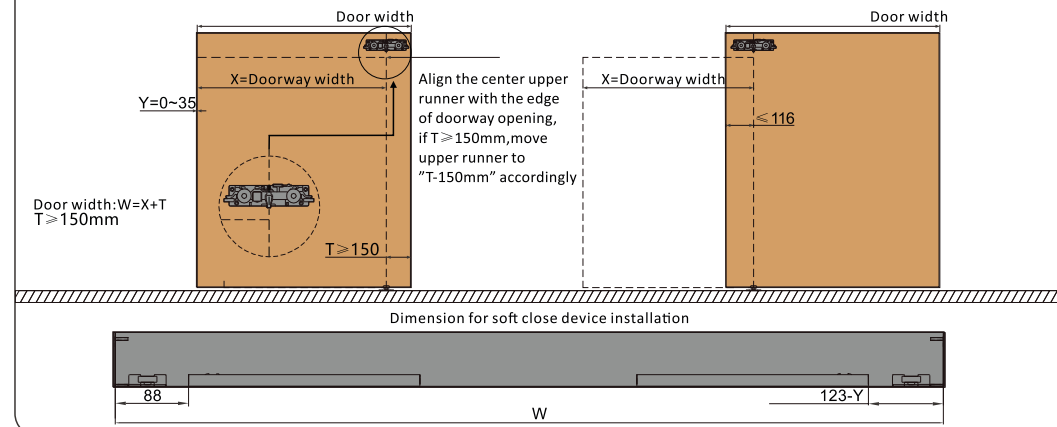
Rail dimension & Installation mode 2



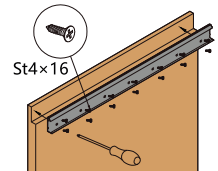
Wooden door installation mode 1 (Complete doorway opening)



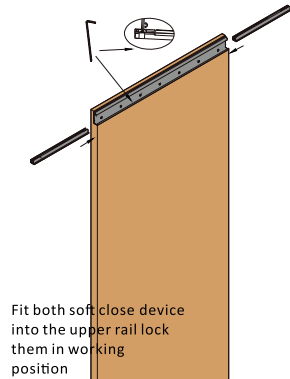
Wooden door installation mode 2 (Partial doorway opening)



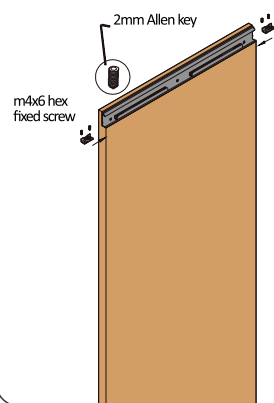
1. Fasten the upper rail



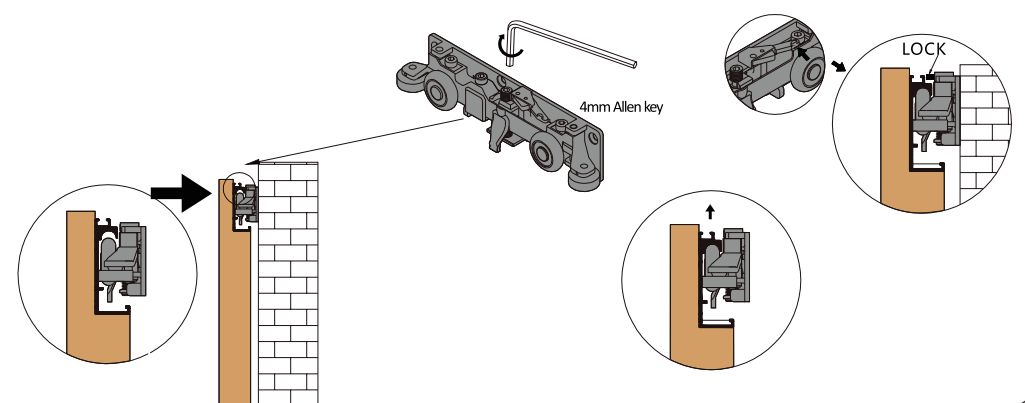
2. Fit both close device



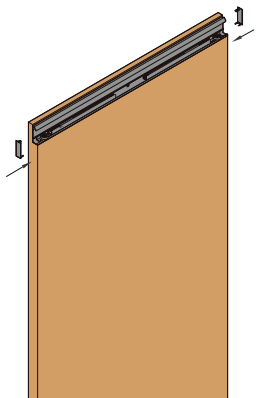
3. Fasten side runner



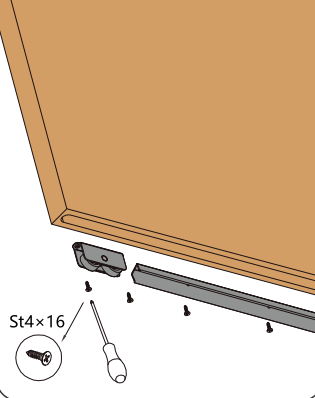
10. Height adjustment



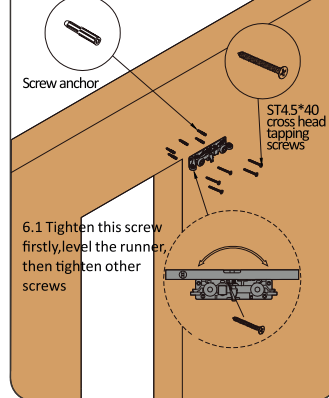
4. Fit the end plugs to both upper rail ends



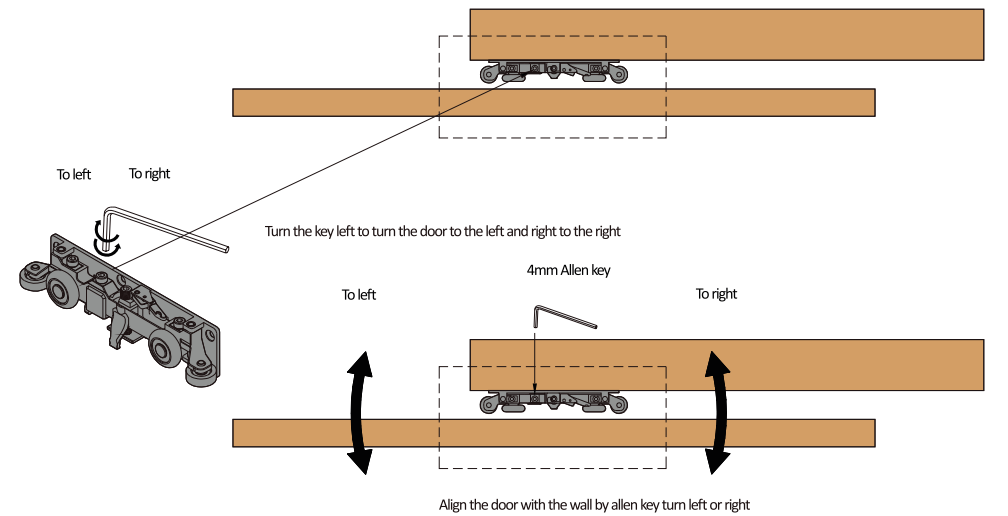
5. Fasten and down rail and both down runners



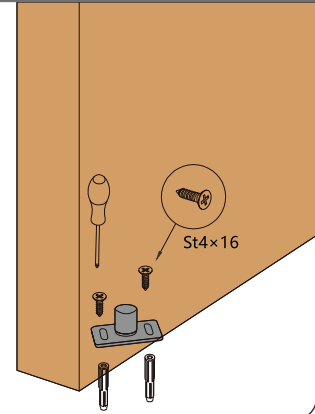
6. Fasten the upper runner



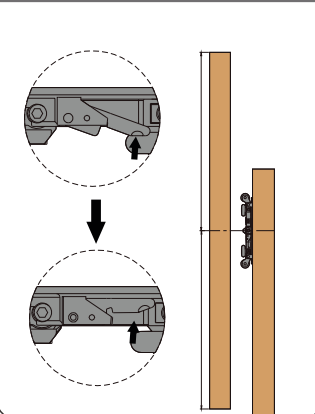
11. Left and right adjustment



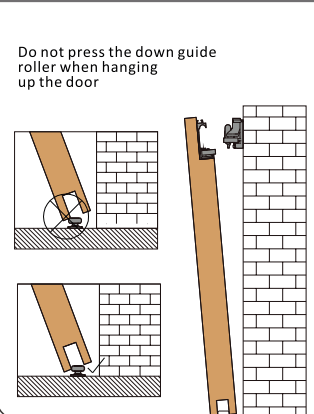
7. Screw the down guide roller



8. Reset the safety-catch



9. Hang up the door



12. Lock the safety-catch

