



DoP AP001/0807  
DoP AP004/1568



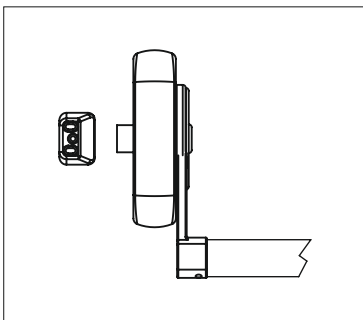
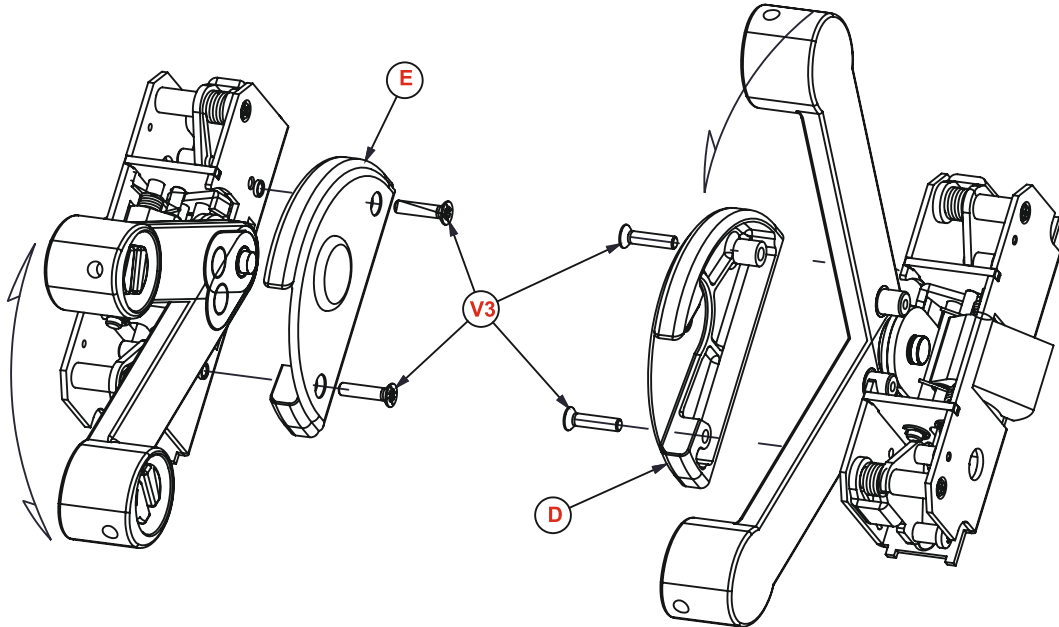
<b>CE</b>	<b>05</b>
<b>0425 - 0807</b>	<b>3 - 7 - 7 - B - 1 - 4 - 2 - 2 - A - A</b>
<b>0425 - 1568</b>	<b>3 - 7 - 7 - 0 - 1 - 4 - 2 - 2 - A - A</b>
<b>EN 1125:2008</b>	

Rev.00/14

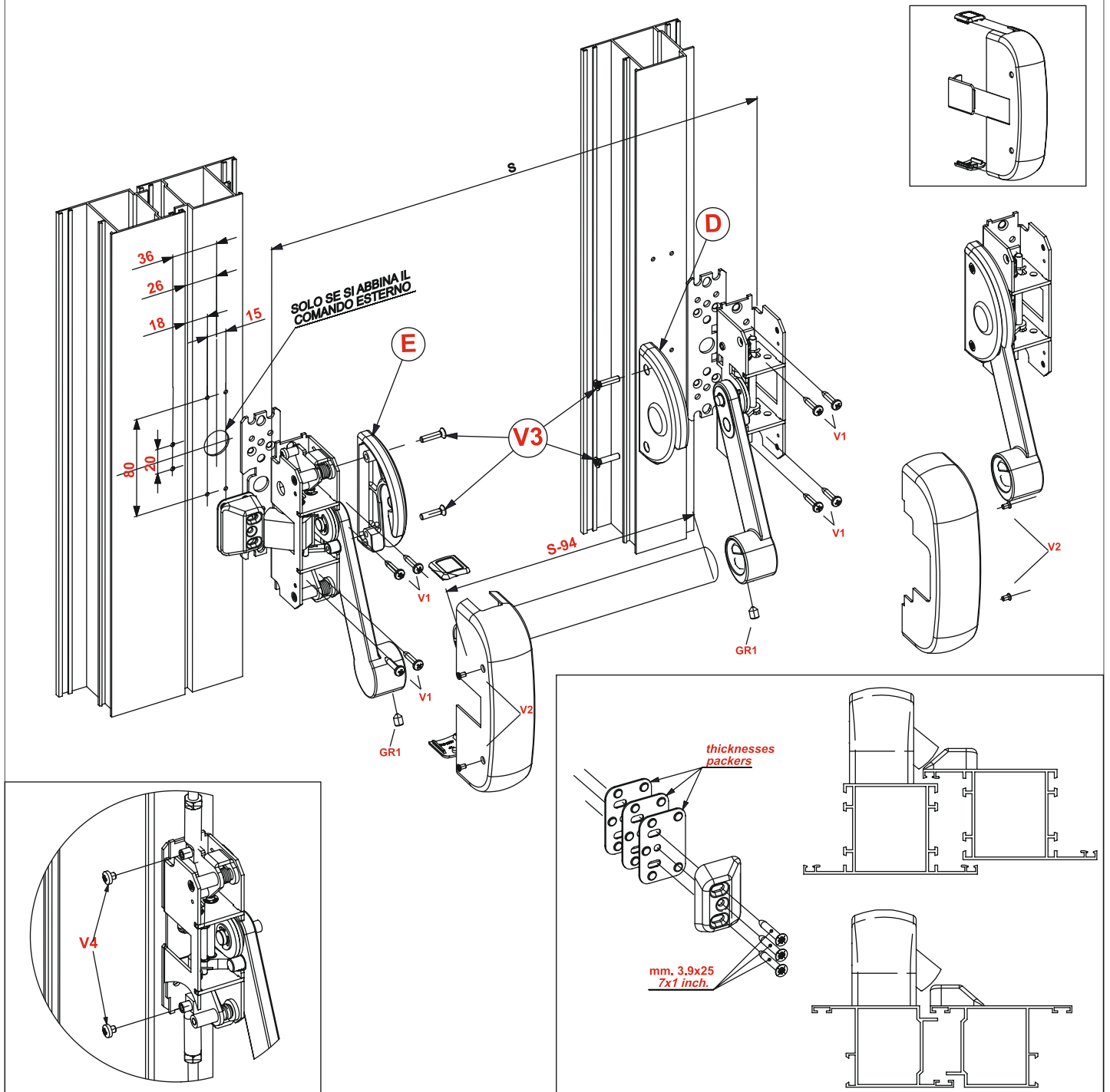
Max 1300mm.
-20°C/+100°C
Max 2500 mm.
Max >200Kg.

The features of this panic exit device are of utmost importance for people's safety. Therefore in no case may any changes be made to the product. The fire-resistance time is 69 minutes for every door configuration.

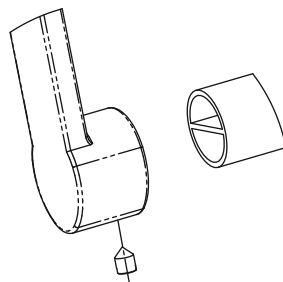
Turn the bracket to determine the left or right-hand opening, fasten caps D and E to the mechanism using screws V3


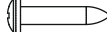


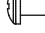


After completing work on the profile, fasten the push bar in place using the **V1** screws provided (8 self-tapping screws, Ø3.9 mm)



Fit the horizontal bar into the seat provided in the bracket.  
Screw in grup GR all the way.



Cod. Art.	401	402	403
<b>GR1</b> 	<b>2</b>	<b>2</b>	<b>2</b>
<b>V1</b> 	<b>8</b>	<b>8</b>	<b>8</b>
<b>V2</b> 	<b>4</b>	<b>4</b>	<b>4</b>
<b>V3</b> 	<b>4</b>	<b>4</b>	<b>4</b>
<b>V4</b> 	<b>0</b>	<b>2</b>	<b>2</b>