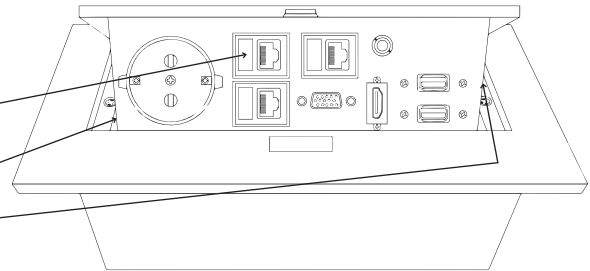


1. Press this button to open the product

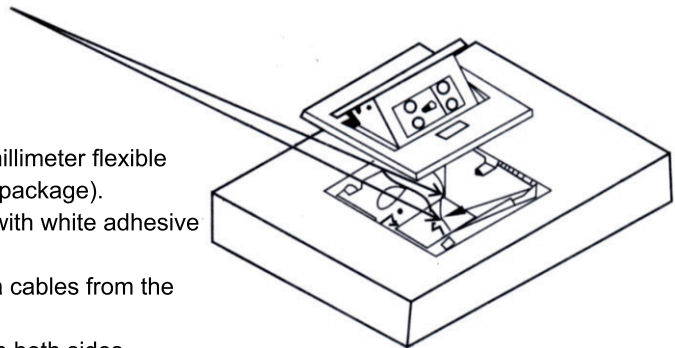
2. Use a Phillips screwdriver to remove the two screws on both sides



3. Fix the bottom box to the desired installation position of the product (such as desktop) with four screws, connect the power cord and various data cables to the product in their corresponding positions, and reserve a certain length of power cord and various data cables to ensure smooth opening of the product.

Notes:

- (1) The strong power cord is connected to a 1.0 square millimeter flexible wire using needle jade (included in the product cable package).
- (2) Secure the power and data cables to the bottom box with white adhesive tape through the small hole at the bottom.
- (3) Customers can choose to connect the power and data cables from the bottom and back as needed.
- (4) Use a Phillips screwdriver to tighten the two screws on both sides.

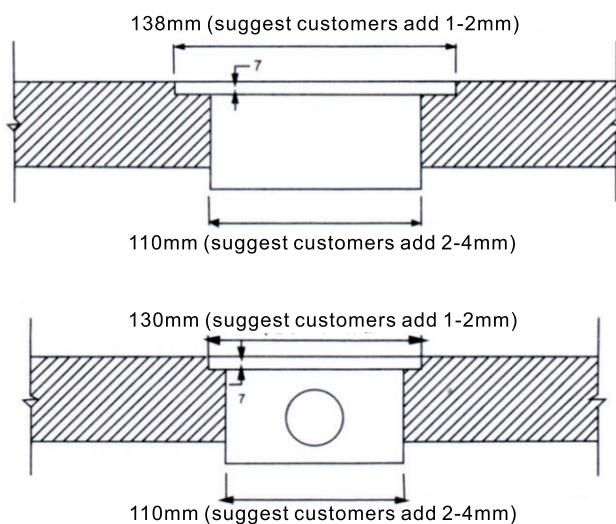


Safety precautions:

- (1) It is not allowed to pour liquid substances onto the product.
- (2) This product is not suitable for outdoor installation.
- (3) The installation of strong electricity requires customers to connect the grounding wire from the bottom box.

Office/Meeting Table Opening Instructions

ZL8 opening size: as shown in the following figure



YY8 opening size: as shown in the following figure

