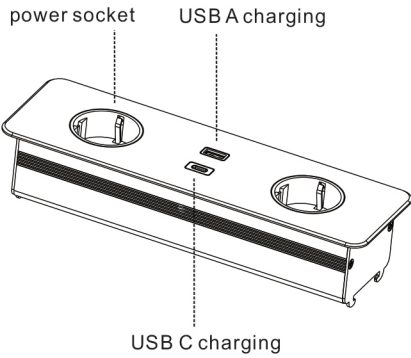
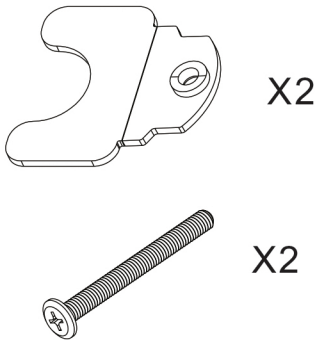


Installation Manual

1. Function introduction:

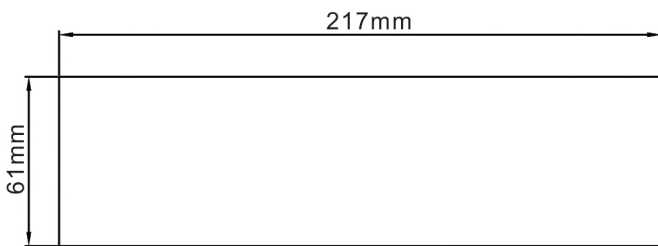


Fittings:

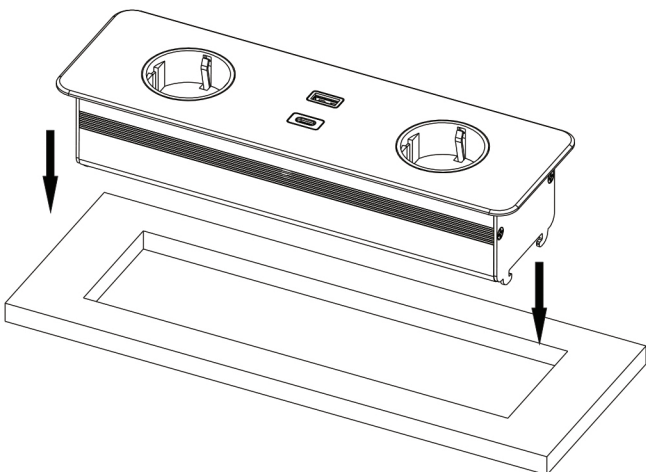


2. How to install

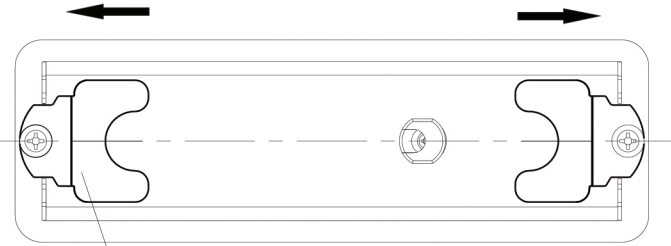
① cut a hole



②

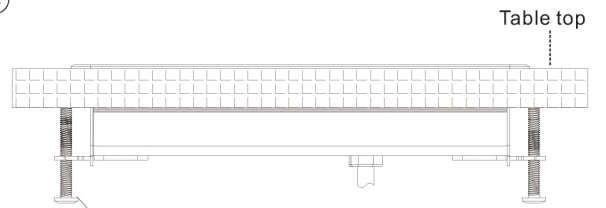


③



Slide the bracket from the narrowest mount part on the side of the bottom box, and pull the bracket to fix.

④



Fix the two screws on each end till they can support the table top.

Above installation is for tabletop thickness within 5-40mm.

CAUTIONS:

1. For indoors use only
2. Do not disassembly or poke it
3. Cut the power during installation
4. Keep away from heated or dusty surroundings
5. Cut the power if not use for a long time
6. No liquid ingress is allowed
7. Not allowed for use by children
8. Cut the power before cleaning
9. Stop using once abnormality if found
10. Installation should be done by professional electricians