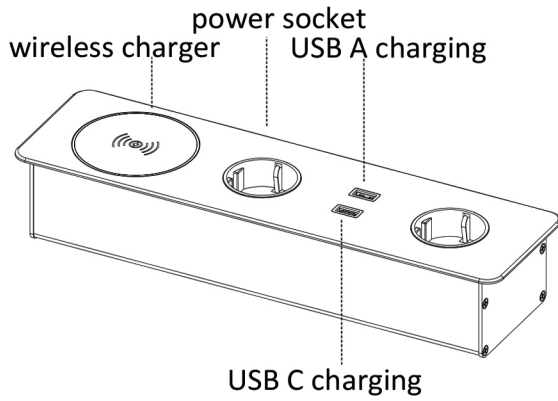
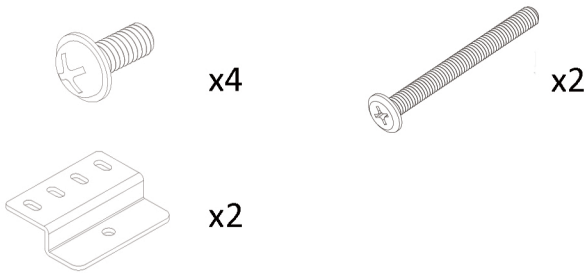


# Installation Manual

## 1. Function introduction

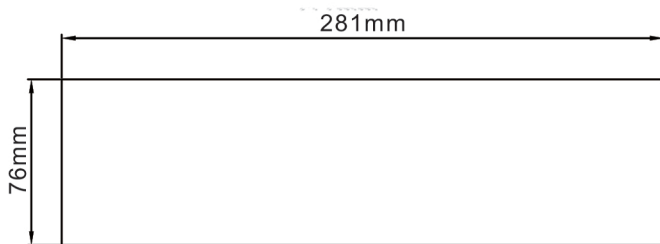


### Fittings:

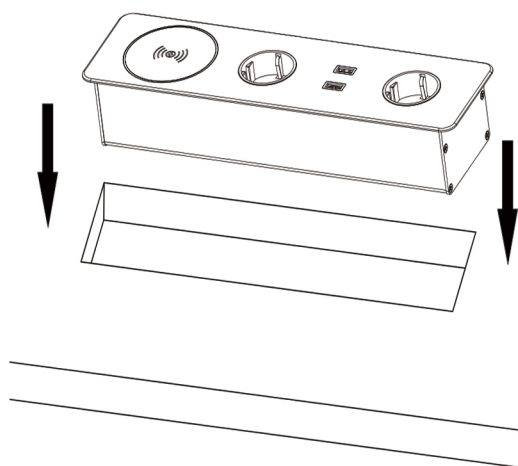


## 2. How to install

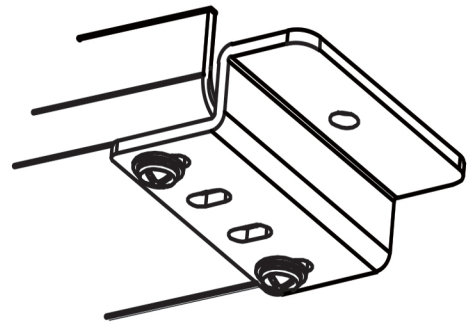
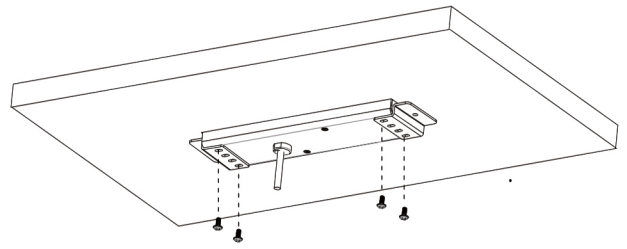
### ① cut a hole



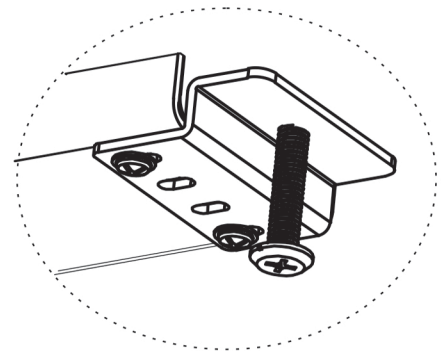
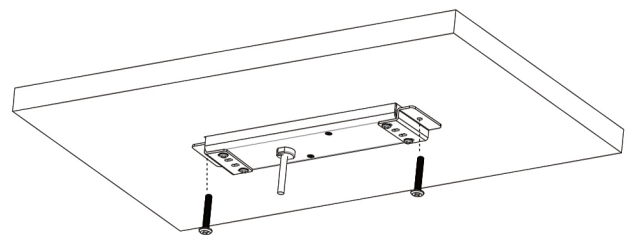
### ②



### ③



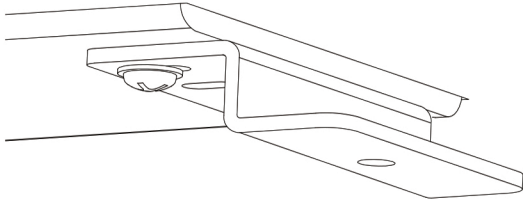
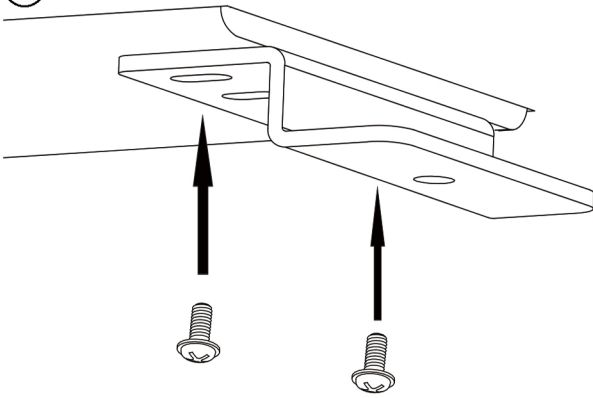
### ④



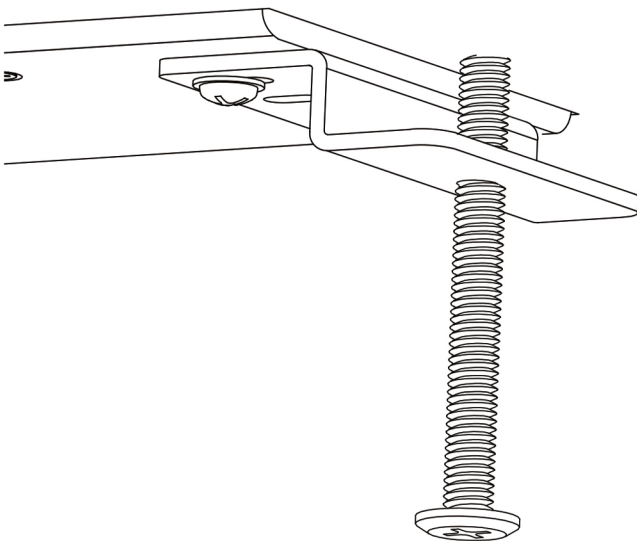
Above installation is for tabletop thickness within 5-35mm

If table thickness is more than 35mm, refer below

⑤



⑥



step ⑤ and ⑥ is for thickness within 35-50mm

### Cautions:

1. For indoors use only
2. Do not disassembly or poke it
3. Cut the power during installation
4. Keep away from heated or dusty surroundings
5. Cut the power if not use for a long time
6. No liquid ingress is allowed
7. Not allowed for use by children
8. Cut the power before cleaning
9. Stop using once abnormality if found
10. Installation should be done by professional electricians