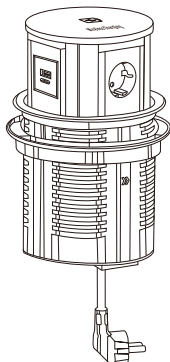


Tempered Glass Pop Up Socket

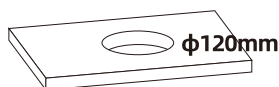


Manual

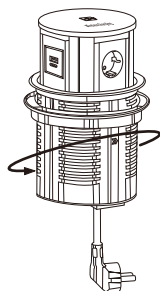
Read the instruction carefully and save the instructions for future reference before starting the installation.

Product Installation:

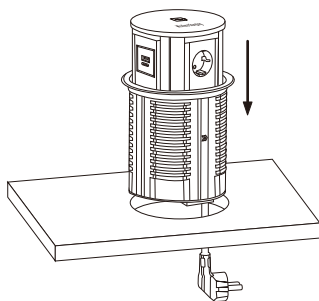
1.Hole Opening: Opening a hole in $\phi 120\text{mm}$



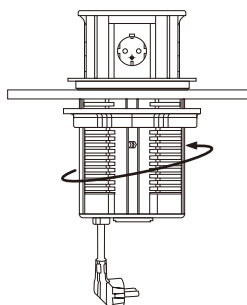
2.Remove the equipment and withdraw the thread fastener left-handed



3.Inset the equipment into the open hole



4.Fasten the right-handed thread, plug in 220V cable at the tail



Attention :

- If you don't understand something when you use it, please feel free to contact distributors or call our service hotline.
- This product is 220V power supply, mistakenly touching will lead to personally safety and other
- Accidentally injuries and property losses.
- Please install the product where children cannot touch it, and cooperate with professional electrician for installation job.
- For your personal safety, please do not disassemble this product by yourself.
- In order to avoid leakage and problem on product, please don't use this product in wet environment.

Product Profile:

1. USB and Type C ports provide 5V*3.1A(18W) charging for devices.
2. German plug-ins provide 220V 10A power supply for equipment.
3. 15W wireless fast charging, fully compatible

Product Characteristics:

- 1.Hidden Design:with a retractable desktop design, this desk grommet will rise up automatically with a simple press. When not in use, press the pop up outlet to hide it. Space-saving and avoid hefty adapters and messy plugs.
2. IP4 waterproof: pop up power is splash resistant, accidentally spill water,wipe off the water on the surface and can use it normally.

Warranty regulations:

Non-human damage during the warranty period, you can enjoy the following services.

Five years:

If there is a functional problem with the product, the consumer can replace the important accessory within five years from the date of purchasing.

Others:

Failure to enjoy warranty service under (including but not limited to) the following circumstances:

- Damage on products because of not following the manual
- Damage caused by self-disassembly and maintenance
- Damage caused by force majeure factors such as natural disasters